

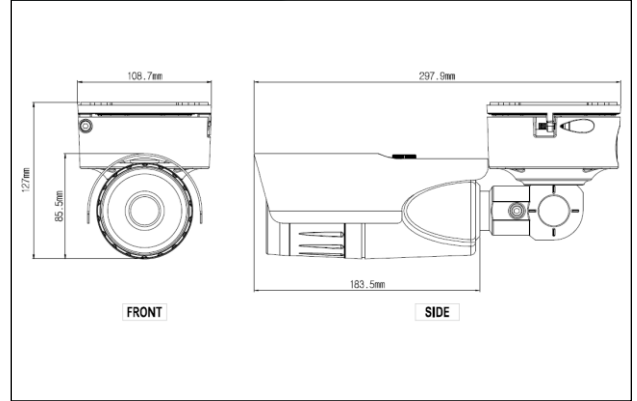


640x480 – Bullet Thermal IP Camera

- OR-TH160d / 19mm lens



DIMENSIONS



SPECIFICATIONS

MODEL NO.		OR-TH160d
SENSOR	Thermal IP Camera Specification	Uncooled Micro Bolometer
	Pixel Size	17um
	Effective Pixels	VGA 640(H)*480(V)
	NETD	<50mK(@30°C, F1.0)
	Spectral Range	7.5 ~ 14.0um
VIDEO	Compression	H.265 BP/MP/HP, H.265 main profile, MJPEG/JPEG baseline encoding
	Thermal Resolution	640X480
	Frame Rate	Up to 9fps (VGA)
	Lens	19mm - Options (8.5mm, 25mm, 35mm)
	Streaming	At least two H.264(5) and Motion JPEG streams, simultaneous and individually configured in max.
	Video Output	IP/Analog
NETWORK	Ethernet	RJ-45
	Protocol	RTP/RTSP/TCP, RTP/RTSP/HTTP/TCP, RTP/UDP RTSP/TCP, HTTP, HTTPS, FTP, SNTp, SMTP, mDNS, Upnp
	Compatibility	ONVIF and CGI
FUNCTION	Color Palettes	9 (Iron/BlueRed/Medical/Purple/PurpleYellow/Dark Blue/Cyan/Rainbow/Anti-Iron)
	Motion Detection	Support
	Calibration	Auto/Manual
	Image FLIP	Vertical, Horizontal ON/OFF
	Inverse Mode	ON/OFF(White Hot / Black Hot)
	AGC Mode	Auto
	Output Mode	NTSC/PAL Selectable
	Image Mode	9 Color Palettes
	Temperature Range	-10°C ~ 150°C
	Audio	Two-way, full duplex, Line input / output
	Audio Compression	G.711 PCM 8 kHz, G.726 ADPCM 8 kHz
	Alarm	Alarm input/output
	Edge Storage	micro SD/SDHC/SDXC, Max 128GB
GENERAL	Dimensions	318 x Ø99
	Weight	2.1kg
	Certifications	FCC, CE
	Input Power	DC12V, IEEE.802.3af class 0
	Power Consumption	Max 7W
	Operating Temperature	-10°C ~ 50°C
	External Interface	RS-485(Optional)