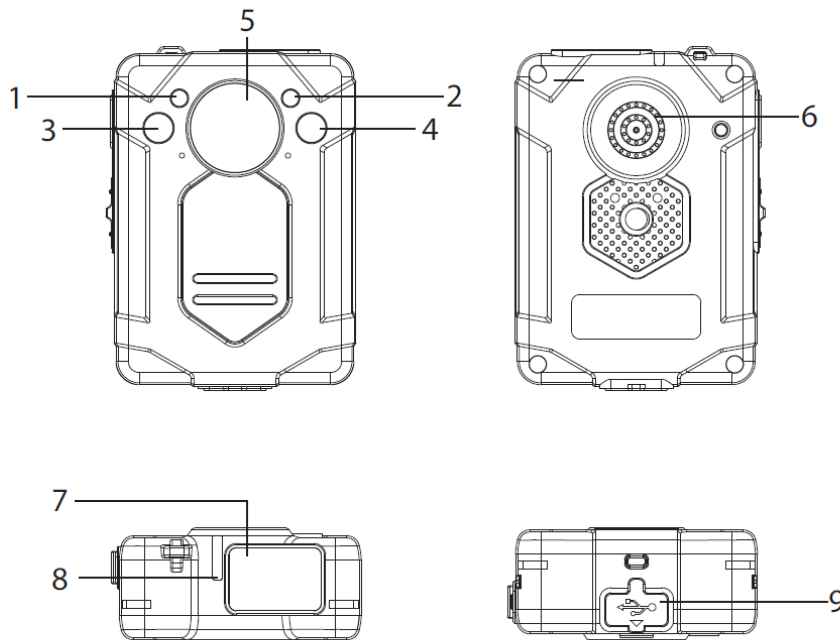
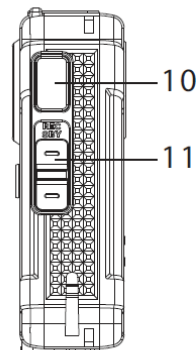


ORION Quick Guide for OT-T07



1. Photoresistor
2. Fill-light
3. Infrared Light
4. Infrared Light
5. Lens
6. Loudspeaker
7. Status Mini LED
8. Indicator
9. USB port
10. Photo/Fill-light/IR button
11. Slide Switch



Find Software and Manuals on <http://orion-technology.eu>
Login under “Partners” to get access to the Software.