

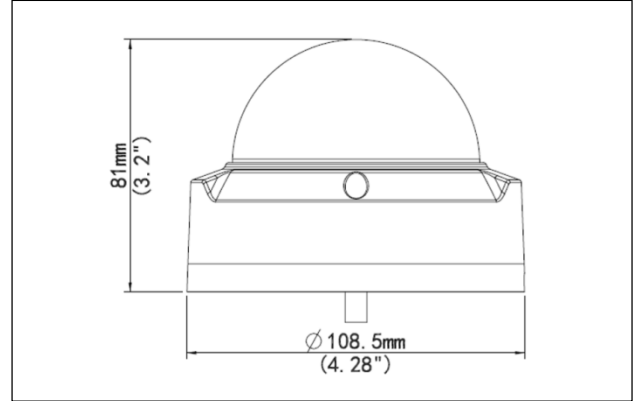


2MP – Indoor Dome IR camera – D-WDR

GST-622d / Lens 4mm / IR LED 30 pcs / Day & Night



DIMENSIONS



SPECIFICATIONS

MODEL NO.		GST-622d
VIDEO	Sensor	1/2.9" 2Mega CMOS
	Max. Resolution	1920x1080
	Frame Rate	30ips@1080p
	Lens type	4.0mm Fixed
	IR LED	30pcs LEDs
	Day & Night	IR Cut filter with auto switch
	Digital Noise Reduction	Configurable 2DNR/3DNR
	Dynamic Range	108dB(Digital WDR)
	Electronic Shutter Speed	Auto / Manual (1/30(25) ~ 1/10,000), Anti-Flicker, Slow Shutter(Off,1/15 sec~1/1 sec)
Backlight Compensation	On/Off/HSBLC	
Network	Video Compression Format	H.265, H.264, M-JPEG
	IP Camera Protocol	ONVIF Profile S
	Multi-Video Streaming	Quadruple stream (Live & Recording, Multi-view)
	Remote Access Client	Web viewer, INIT, CMS
	Edge Storage	Option
Event	Event Buffering (Pre & Post)	yes (pre : 15 sec & post : up to 60 sec)
	Event Notification	Remote S/W, Email (with image)
IN/OUT	Video Output	NA
	Audio Input	NA
	Audio Output	NA
	Alarm Input	NA
	Alarm Output	NA
	Network Connectivity	10/100 Mbps Ethernet
FEATURE	Edge Storage	Option
	Motion Detection	yes
	Privacy Masking	8 Zones
	Intelligent Video	Tampering, Trip zone
	Two-way Audio	NA
	POWER	12VDC, PoE
	Operating Temperature	-10 ~ +50 Deg C. RH 95% Max.
	Operating Humidity	0% to 90%
	Dimensions (W x H x D)	Ø108.5mm * 81mm
Weight (Approx.)	450g	